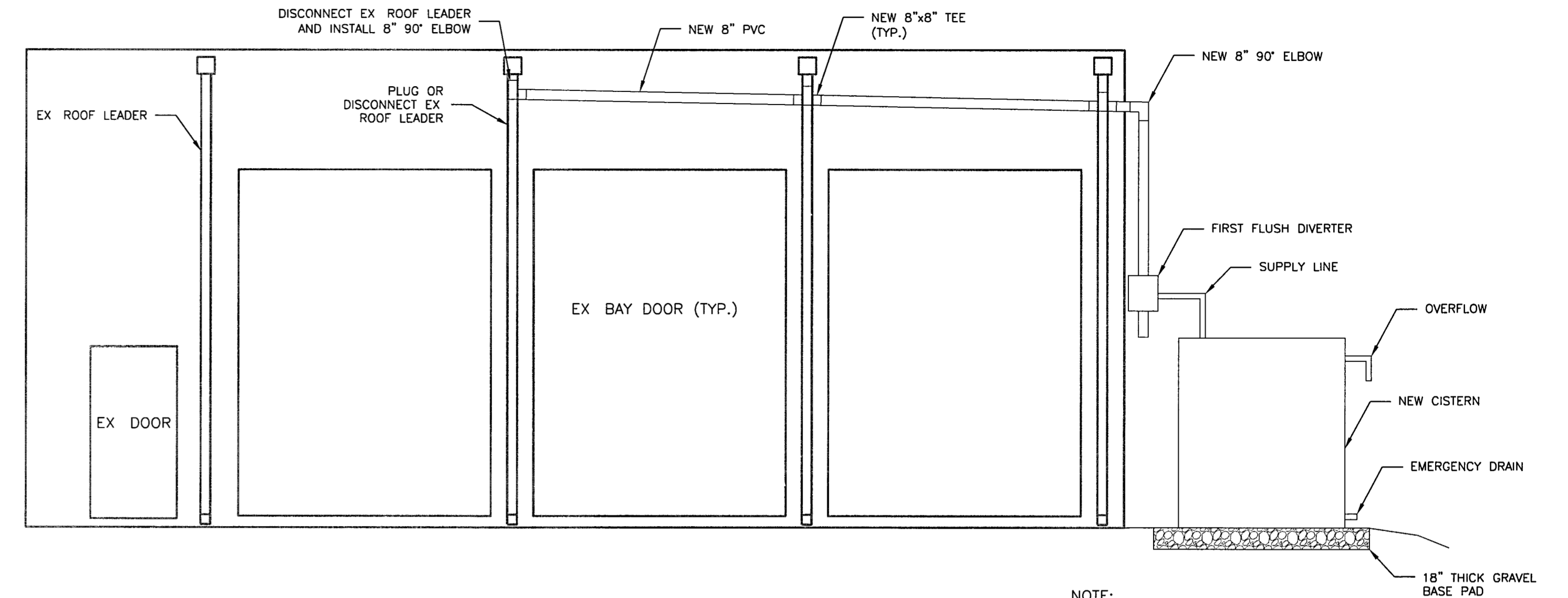
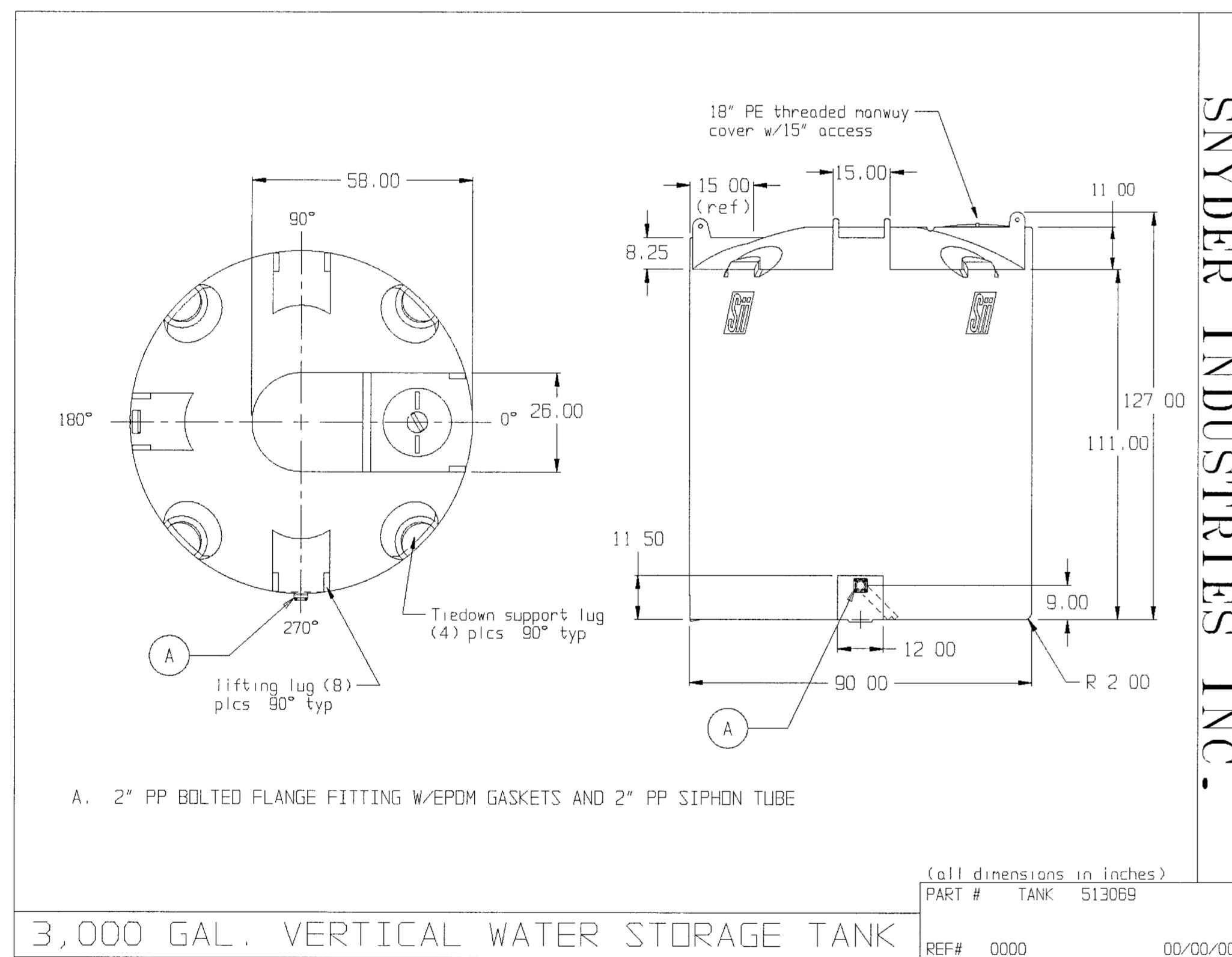


SITE PLAN
1" = 50'

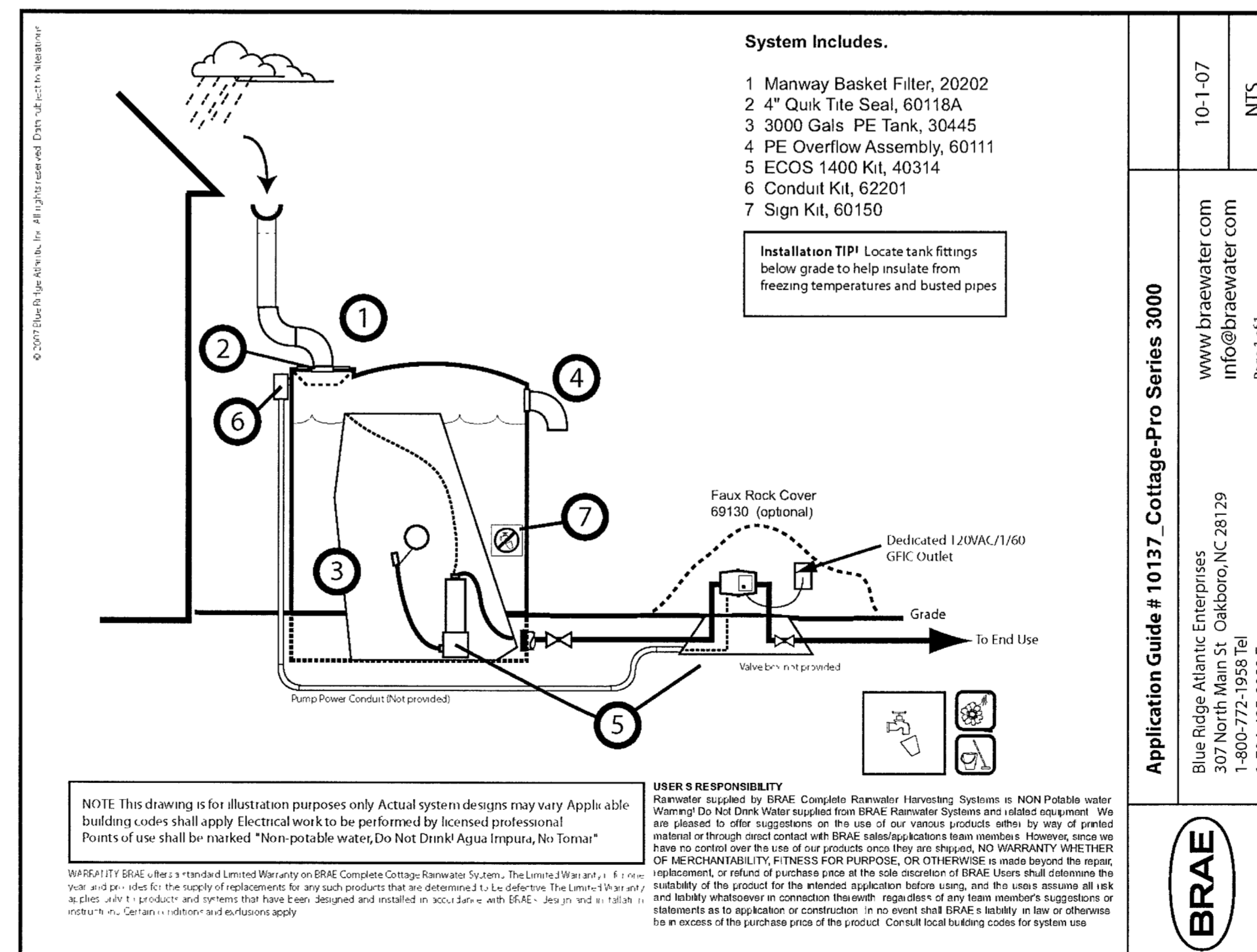


ROOF LEADER DETAIL
NTS

NOTE:
INSTALL FLOAT SWITCH TO
ACTIVATE SUPPLEMENTAL WATER
SUPPLY TO MAINTAIN 300
GALLONS (20% OF TOTAL VOLUME)
IN CISTERN AT ALL TIMES



TYPICAL CISTERN PLAN
NTS



TYPICAL CISTERN SCHEMATIC
NTS

CISTERN WATERSHED INFORMATION:

DRAINAGE AREA = 0.07 AC.
IMPERVIOUS AREA = 0.07 AC.
1.5\"/>

CISTERN NOTES:

- CISTERN FOUNDATION, PIPING, PUMPS, AND OTHER CONNECTIONS TO BE DESIGNED BY OTHERS AND APPROVED BY ENGINEER OR LOCAL OFFICIAL PRIOR TO CONSTRUCTION.
- CISTERN SYSTEM SHALL BE BRAE COTTAGE SERIES 3000 GALLON BLACK ABOVE GROUND STORAGE TANK OR APPROVED EQUAL. LOCAL OFFICIAL SHALL APPROVE ANY SUBSTITUTION OF MATERIALS.
- SUPPLEMENT WATER SUPPLY TO MAINTAIN AT LEAST 200 GALLONS (MINIMUM) IN CISTERN AT ALL TIMES.
- NON-POTABLE WATER USE ONLY.
- CISTERN TO BE LABELED "DO NOT DRINK" ON ALL SIDES AND AT ALL HOSE BIBBS.

No.	Revision	Date	By

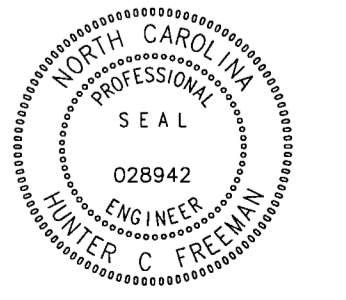
Designer	W&R	Scale	1" = 50'
Drawn By	PAP	Date	6-24-10
Checked By	W&R	Job No	2100118.00

CCAP - CARTERET COUNTY
TOWN OF CEDAR POINT CARTERET COUNTY NORTH CAROLINA

CEDAR POINT FIRE STATION

WITHERS & RAVENEL
ENGINEERS | PLANNERS | SURVEYORS
111 MacKenan Drive, Cary, North Carolina 27511 | tel 919-469-3340 | fax 919-467-6008 | www.withersravenel.com

Sheet No
1



PRELIMINARY
NOT APPROVED FOR CONSTRUCTION

K:\10\10-010\100118-Cedar Point, LB, Drawings\CAD\Cedar Point, LD.dwg - Thursday, June 24, 2010 4:35:43 PM - PETERSON, PATRICK